



Stainless



Black

1115WC

1000 SERIES

FEATURES

PERFORMANCE

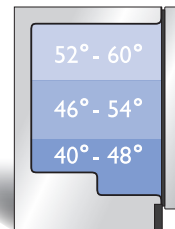
- Wine bottle capacity of up to 24 bottles (.75L)
- Touch pad digital control featuring easy view command center and door open alert
- Digital controlled triple temperature zone
- Temperature range 40 to 60°F
- Stable, consistent temperatures provide longer term storage capability
- Sabbath / Blackout mode turns off all lighting and controls display and automatically resets after 36 hours
- UL residential and commercial listings

INTERIOR / EXTERIOR

- Lighted black interior optimizes elegant display of wines and can be manually turned on for display with door closed; automatically shuts off after four hours
- Solid beech wood trimmed, 3/4 extension black powder coated wine racks
- Standard commercial stainless steel handle is interchangeable with professional handle option on stainless steel model
- Stainless steel model has stainless wrap with black caps on top and bottom to make this unit field
- LowE coated, argon gas filled thermopane glass door provides protection from potentially harmful UV rays and added insulating energy efficiency
- Black model includes integrated handle and is field reversible
- Black vinyl clad textured cabinet is more resistant to scratching, peeling and flaking

INTEGRATION

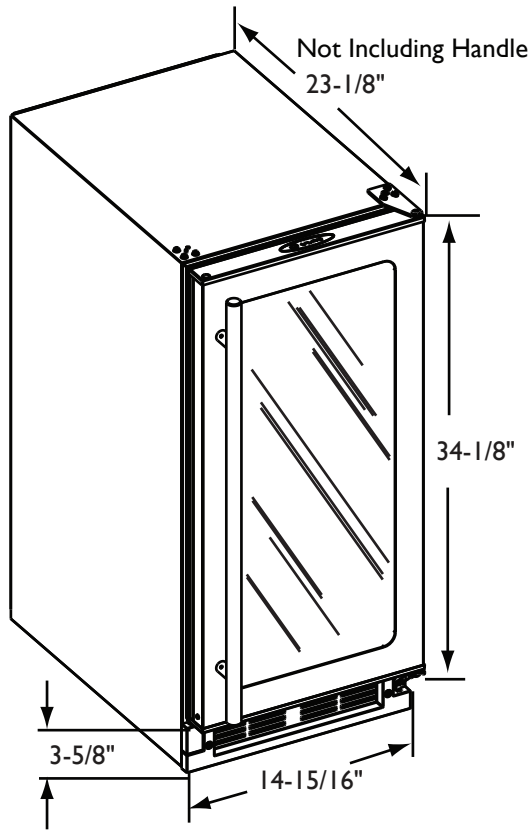
- Solid beech wood trim on wine racks can be stained to match surrounding cabinetry
- Allow a 2-1/2" clearance on hinged side for 90° door opening when installed adjacent to a wall (for stainless steel model)
- Allow 1/4" width overall for proper installation (see backside for details)
- No additional clearance around sides, top or rear of unit is needed for ventilation
- Do not obstruct front grille air flow
- Durable, factory installed level legs provide a more precise undercounter fit
- Product note: with left hand hinge installation, allow for 145° door swing to ensure extension of wine rack



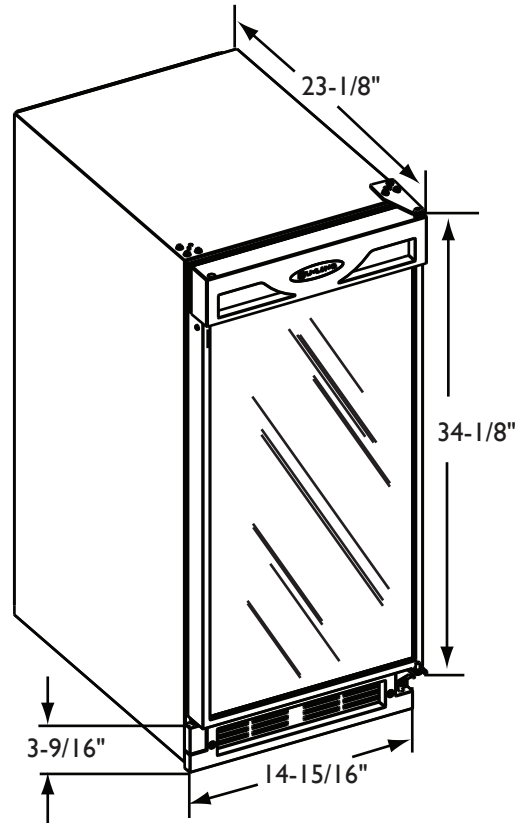
Triple Zone System
featured in 1115WC.



For elegant presentation of your wine collection, all U-Line Wine Captain® Models have an illuminated interior.



1115WCS Stainless Model



1115WCB Black Model

DIMENSIONS AND SPECIFICATIONS

OVERALL DIMENSIONS

Height	34-1/8" (86.6)
Width	14-15/16" (37.8)
Depth	23-1/8" (58.7)
With stainless steel handle	25" (63.5)

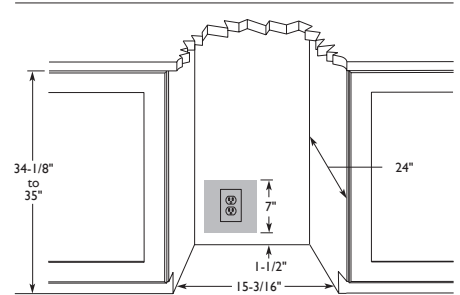
Shipping weight:	
Black model	102 lbs (46 kg)
Stainless model	102 lbs (46 kg)

Running amps	2.4
Maximum start-up amps	9.8
Amps pertain to voltage rating	110/115 volt, 60 Hz

Capacities:	
Wine bottle storage (0.75L)	Up to 24

*Note: When installing a black model, allow for 145° door swing to ensure wine racks slide out.

1115WC	
Stainless	U-1115WCS-00
Black	U-1115WCB-00



Please visit www.u-line.com for installation guide.

All specifications are subject to change without notice.